

PROJECT: PP-PE PILOT PLANT

client:



شرکت ملی صنایع پتروشیمی
شرکت پژوهش و فناوری پتروشیمی

TITLE: DATA SHEET FOR DIVERTER VALVES (DV-
5401,5402,5403,5404,5405)

DATA SHEET FOR DIVERTER VALVES (DV- 5401,5402,5403,5404,5405)


Document No.:

Rev.: 0

Owner Job No.:

Type: DAS

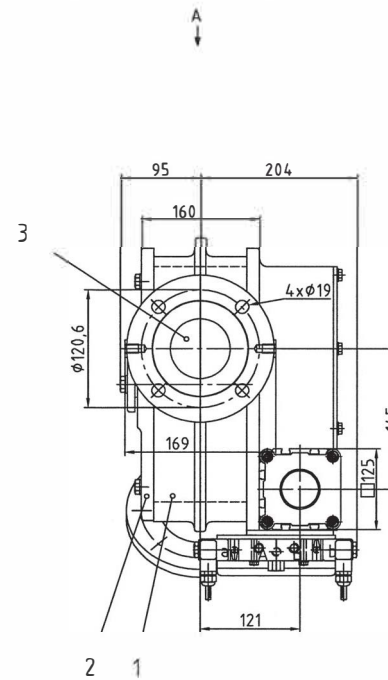
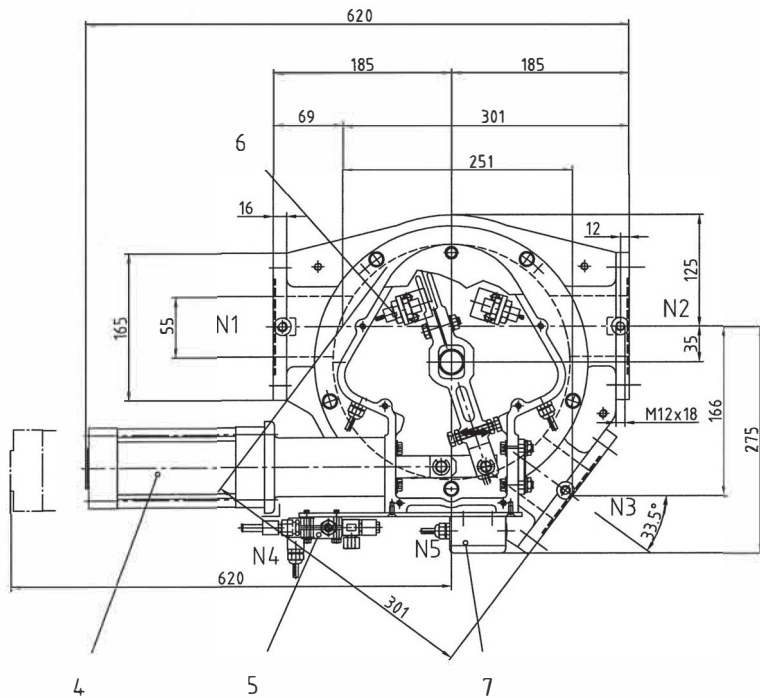
Page A

PROJECT : PP-PE PILOT PLANT		Client:	
TITLE: DATA SHEET FOR DIVERTER VALVES (DV-5401,5402,5403,5404,5405)		 شرکت ملی صنایع پتروشیمی شرکت پژوهش و فناوری پتروشیمی	
1	APPLICABLE TO: <input type="radio"/> PROPOSAL <input checked="" type="radio"/> PURCHASE <input type="radio"/> AS BUILT <input type="radio"/> DATE	REVISION	_____
2	FOR <u>NPC R&T</u>	UNIT	<u>500</u>
3	SITE <u>NPC R&T CENTRE - ARAK - IRAN</u>	SERIAL NO.	<u>DV-5401, DV-5402, DV-5403, DV-5404, DV-5405</u>
4	SERVICE <u>DIVERTER VALVE</u>	NO.REQUIRED	<u>5</u>
5	MANUFACTURER _____		
6	NOTE: <input type="radio"/> INDICATES INFORMATION TO BE COMPLETED BY PURCHASER <input type="checkbox"/> BY MANUFACTURER		
7	● GENERAL		
8	FAN/BLOWER MFR. _____ MODEL _____	SERIAL NO _____	
9	DRIVER MFR. _____ DRIVER TYPE _____	RATED KW _____	RPM _____
10	DRIVER SYSTEM <input type="checkbox"/> DIRECTED COPILED <input type="checkbox"/> OTHER _____		
11	OPERATING CONDITIONS		
13	OPERATING TEMPERATURE (C):		<u>-28/+120</u>
14	OPERATING PRESSURE (Bar):		<u>Amb.</u>
15	AMBIENT TEMPERATURE (C):		<u>-28/+44</u>
20	CONSTRUCTION FEATURES		
21	SIZE:		<u>2" (SS)</u>
22	RATINGS:		<u>ANSI 150 lbs</u>
	SOLENOID VALVE:		<u>24V/DC EEx IIC T4 IP65 (3.9 W)</u>
	LIMIT SWITCH:		<u>GK II 2G/2D ; NAMUR T(max)=100 C</u>
	SPECIAL ELECTRICAL EQUIPMENT (at electro pneumatic operation)		
	SPECIAL SOLENOID VALVE:		<u>8 VDC Eexia</u>
	SPECIAL LIMIT SWITCH:		<u>8 VDC Eexia</u>
	SPECIAL TERMINAL BOX:		<u>Eexia</u>
32	SITE & UTILITY DATA		
33	LOCATION:	UTILITY CONDITIONS:	
34	<input type="radio"/> INDOOR <input type="radio"/> HEATED <input type="radio"/> UNDER ROOF	STEAM	DRIVERS HEATING
35	<input checked="" type="radio"/> OUTDOOR <input type="radio"/> UNHEATED <input type="radio"/> PARTIAL SIDES	INLET	MIN. _____ (BARG) (KPa) _____ °C _____ (BARG) (KPa) _____ °C
36	<input type="radio"/> ELECTRICAL AREA CLASS: EX		NORM. _____ (BARG) (KPa) _____ °C _____ (BARG) (KPa) _____ °C
37	CLASS <u>I</u> GROUP <u>C</u> DIVISION <u>2</u>		MAX. _____ (BARG) (KPa) _____ °C _____ (BARG) (KPa) _____ °C
	Protection <u>IP55</u>		
38	<input checked="" type="radio"/> WINTERIZATION REQ'D. <input type="radio"/> TROPICALIZATION REQ'D.		MIN. _____ (BARG) (KPa) _____ °C _____ (BARG) (KPa) _____ °C
39	SITE DATA: (Note 2)		NORM. _____ (BARG) (KPa) _____ °C _____ (BARG) (KPa) _____ °C
40	<input checked="" type="radio"/> ELEVATION <u>1889</u> m BAROMETER <u>810</u> (mBAR)		MAX. _____ (BARG) (KPa) _____ °C _____ (BARG) (KPa) _____ °C
41	<input checked="" type="radio"/> RANGE OF AMBIENT TEMPS:	ELECTRICITY:	SHUT-DOWN
42	DRY BULB WET BULB		DRIVERS HEATING CONTROL
43	SITE RATED °C _____	VOLTAGE	_____
44	NORMAL °C _____	HERTZ	_____
45	MAXIMUM °C <u>44</u>	PHASE	_____
46	MINIMUM °C <u>-28</u>	COOLING WATER	
47	UNUSUAL CONDITIONS: <input checked="" type="radio"/> DUST <input checked="" type="radio"/> FUMES	TEMP. INLET _____ (°C) TEMP. RETURN _____ (°C)	
48	<input type="radio"/> OTHER _____	PRESS. NORMAL _____ (BARG) (KPa) DESIGN _____ (BARG) (KPa)	
49	REMARKS:	PRESS. RETURN _____ (BARG) (KPa) MAX ALLOW DP _____ (BARG)	
50		WATER SOURCE _____ (Kpa-ABS)	
51		INSTRUMENT AIR: PRESS _____ (barg)	
		DOCUMENT No. :	Rev.: 0
		Owner Job No.:	Type: DAS
			Page 1 of 1

Parts list

Item	Qty.	Description/Dimensions	Standard	Material	Article No.
1	1	Housing CR w/SS liner	Rohre 14541 liners AISI 321	G-AL S17 Mg AA356.0	
2	2	Side plate		G-AL S17 Mg AA356.0	
3	1	Rotor CR w/SS Liner	Rohre 14541 liners AISI 321	G-AL S19 Mg AA 356.0	
4	1	Pneum. Cylinder	Festo DNC-100-100P		
5	1	Solenoid valve	Herion 9711545.2050		
6	2	Limit switch	Pepperl+Fuchs NCB5-18-GM40-ND		
7	1	Terminal box	Rose 06.08 16 06		

Drive location side
left ← right



Type designation

WZK 55 P1-CR-R

Drive location side R=right /L=left

Material of construction

Actuation

P1=Control pressure 4 to 8 bar g
P2=Control pressure 2,5 to 4 bar g

Connection-diameter
Inside diameter

Two-way diverter valve

Operating specification DIN EN 764

allowable pressure	$P_s =$	4 bar
design pressure	$P_d =$	4 bar
operating pressure	$P_o =$	0,45 bar
allowable temperature	$t_s =$	-28 .. +120 °C
design temperature	$t_d =$	-28 .. +120 °C
operating temperature	$t_o =$	95 °C
weight	$G =$	38 kg

switch position



DV-5405	LEFT
DV-5404	LEFT
DV-5403	RIGHT
DV-5402	RIGHT
DV-5401	RIGHT
item-no.	drive location side

Connection designation		Size
N1	inlet/outlet	2" ANSI 150 lbs
N2	inlet/outlet	2" ANSI 150 lbs
N3	inlet/outlet	2" ANSI 150 lbs
N4	solenoid valve	1/4"NPT
N5	terminal box	M20x1,5

REV	ISSUE DATE	DESCRIPTION	OWN	CHKD	APPR.	APPR.	APPR.
			BY	BY	BY	BY	BY
			DISCIPLINE	PIEM	PIEM	PIEM	PIEM
3							
2							
1							
0							
OWNER :							
 NATIONAL PETROCHEMICAL COMPANY PETROCHEMICAL RESEARCH & TECHNOLOGY CO. شرکت پژوهش و فناوری پتروشیمی							
PROJECT :							
LLDPE PILOT PLANT ARAK-IRAN							
CONTRACTOR :							
LICENSOR :							
TITLE :							
Two-way diverter valve							
DRAWING NO.:							
STATUS:							
SCALE:							
SHEET:							
REV.:							
1 / 1							

Rev.	Aenderung/Revision	Tag/Date	Name	Ersetzt fuer:	Tag/Date	Name
01						
gez.				Ersetzt durch:		
gepr.				Entst. aus:		
freig.				Teile Nr.:		
Klassif. Code	Project-No.	Doc-Class		Count No.	Size	Index
Projekt-Nr.			Dok-Art	Zähl-Nr.	Fmt.	In-Rev.
Masstab/Scale Benennung/Designation						
1:5						
y						
Blatt:						
Sheet: 1						
vgn:						
of: 1						
Format/Size						
A2						