

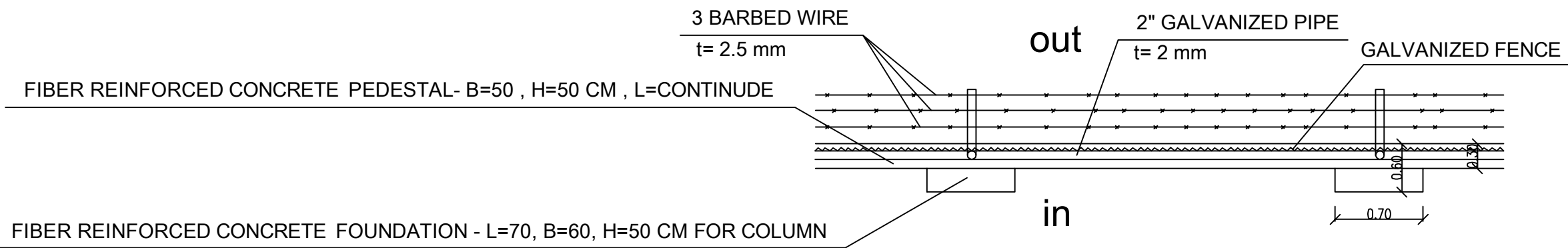


CONSTRUCTION  
OF  
BOUNDARY FENCE



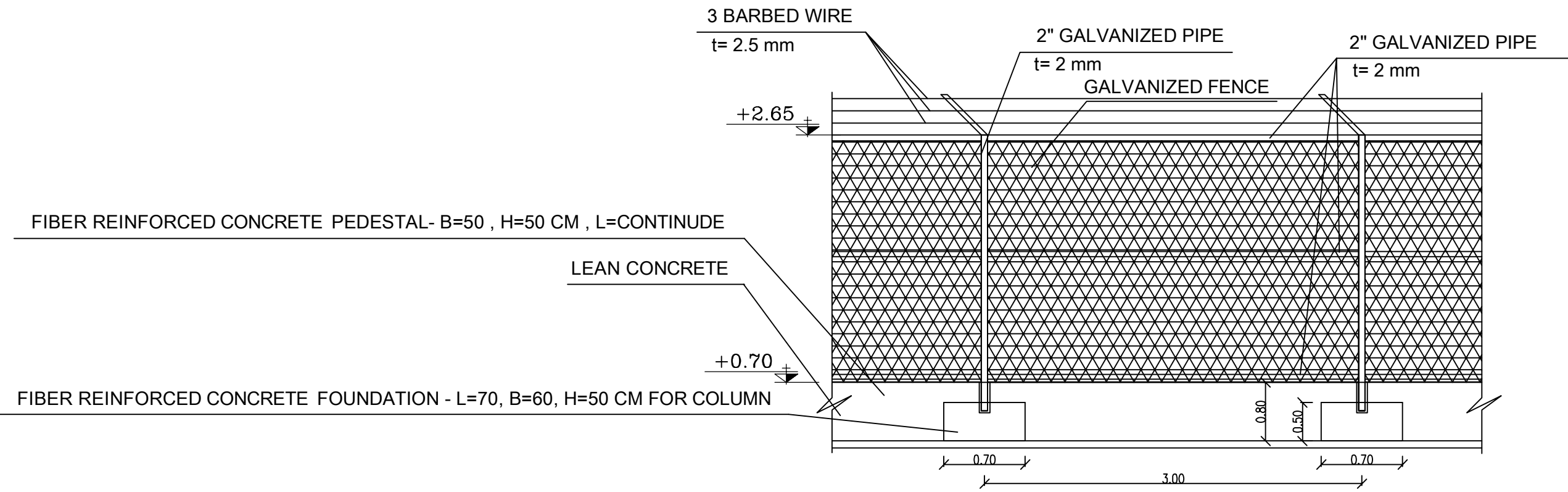
CONSULTANT ENGINEERING:  
**apliq**  
POUYA TARH HOUMAN CO.

- NOTE:
- 1- ALL DIMENSIONS AND ELEVATIONS IN PLANS ARE IN METER UNLESS OTHERWISE.
  - 2- ALL DIMENSIONS IN DETAILS ARE IN MILLIMETER UNLESS OTHERWISE.
  - 3- ALL DIMENSIONS IN PLATE DETAILS ARE IN MILLIMETER UNLESS OTHERWISE.
  - 4- CONCRETE SHALL BE IN ACCORDANCE WITH SPECIFICATION.
  - 5- STRUCTURAL CONCRETE SHALL HAVE MINIMUM COMPRESSIVE STRENGTH ON CYLINDRICAL SPECIMEN EQUAL  $f_c = 300 \text{ kg/cm}^2$  IN 28 DAYS. (MINIMUM 4300  $\text{kg/cm}^2$  CEMENT CONTENT TO BE PROVIDED).
  - 6- YIELD STRESS OF BARS MUST BE EQUAL TO  $4000 \text{ kg/cm}^2$  (TYPE ALL).
  - 7- STEEL PLATES TO BE GRADE ST37-2
  - 8- CONCRETE COVER TO ALL REINFORCEMENTS SHALL BE 75MM.
  - 9-  $\Phi$  16 HOOKS MAYBE REPLACED BY ANY ALTERNATIVE DETAIL UNDER SUPERVISION OF SITE ENGINEER.
  - 10- TO SPLICE TWO PIECES A PILE, SCREW  $\Phi$  27 BOLTS (DIN 8.8) AT CONNECTION POINTS OF TWO PILE PIECES.



FENCE, PLAN VIEW & DETAILS

SC: 1/40



FENCE, SIDE VIEW & DETAILS

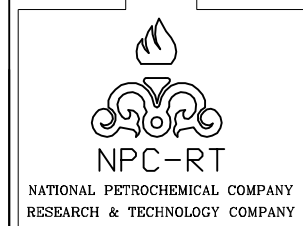
SC: 1/40

REVISION	DATE
REV-4	
REV-3	
REV-2	
REV-1	

SUBMIT FOR:	
<input checked="" type="checkbox"/> INITIAL REVIEW	TENDER
<input type="checkbox"/> AWARENESS	EXECUTE
CHECK & APPROVAL	

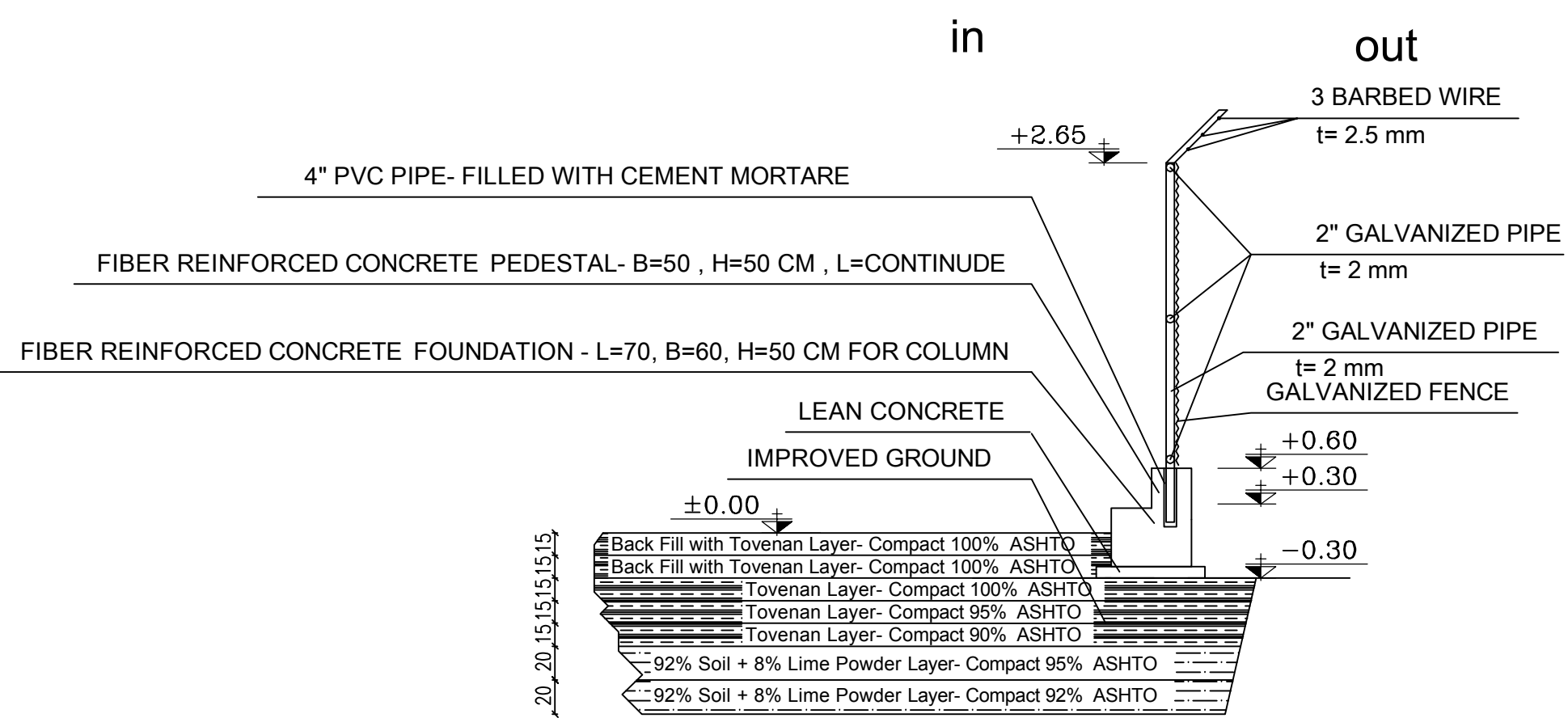
PROJECT NAME	CONSTRUCTION OF BOUNDARY FENCE		
DRAWING NAME	FENCE, PLAN & SIDE VIEW		
DRAWING NO: NPC-RT-BF-ST-101			
Rev No: -	Sheet No: 1		
TITLE	NAME	SIGN	GROUP
DESIGNER	F. BAYMAM		STRUCTURAL
DRAWING	F. BAYMAM		SCALE:
CONTROL	A. SHAMSAEI		-
APPROVAL	V. DEHSTANAN		DATE: 12/06/2023

CONSTRUCTION  
OF  
BOUNDARY FENCE



CONSULTANT ENGINEERING:  
  
POUYA TARH HOUMAN CO.

- NOTE:
- 1- ALL DIMENSIONS AND ELEVATIONS IN PLANS ARE IN METER UNLESS OTHERWISE.
  - 2- ALL DIMENSIONS IN DETAILS ARE IN MILLIMETER UNLESS OTHERWISE.
  - 3- ALL DIMENSIONS IN PLATE DETAILS ARE IN MILLIMETER UNLESS OTHERWISE.
  - 4- CONCRETE SHALL BE IN ACCORDANCE WITH SPECIFICATION.
  - 5- STRUCTURAL CONCRETE SHALL HAVE MINIMUM COMPRESSIVE STRENGTH ON CYLINDRICAL SPECIMEN EQUAL  $f_c = 300 \text{ kg/cm}^2$  IN 28 DAYS. (MINIMUM 300  $\text{kg/cm}^2$  CEMENT CONTENT TO BE PROVIDED).
  - 6- YIELD STRESS OF BARS MUST BE EQUAL TO 4000  $\text{kg/cm}^2$  (TYPE ALL).
  - 7- STEEL PLATES TO BE GRADE ST37-2
  - 8- CONCRETE COVER TO ALL REINFORCEMENTS SHALL BE 75MM.
  - 9-  $\Phi$  16 HOOKS MAYBE REPLACED BY ANY ALTERNATIVE DETAIL UNDER SUPERVISION OF SITE ENGINEER.
  - 10- TO SPLICE TWO PIECES A PILE, SCREW  $\Phi$  27 BOLTS (DIN 8.8) AT CONNECTION POINTS OF TWO PILE PIECES.



**BOUNDARY FENCE VIEW**

SC: 1/40

REVISION	DATE
REV-4	
REV-3	
REV-2	
REV-1	

SUBMIT FOR:			
<input checked="" type="checkbox"/>	INITIAL REVIEW	<input type="checkbox"/>	TENDER
<input type="checkbox"/>	AWARENESS	<input type="checkbox"/>	EXECUTE
CHECK & APPROVAL			

PROJECT NAME	CONSTRUCTION OF BOUNDARY FENCE		
DRAWING NAME	BOUNDARY FENCE VIEW		
DRAWING NO: NPC-RT-BF-ST-102			
Rev No: -		Sheet No: 1	
TITLE	NAME	SIGN	GROUP
DESIGNER	F. BAYMAM		STRUCTURAL
DRAWING	F. BAYMAM		SCALE:
CONTROL	A. SHAMSAEI		-
APPROVAL	V. DEHSTANAN		DATE: 12/06/2023